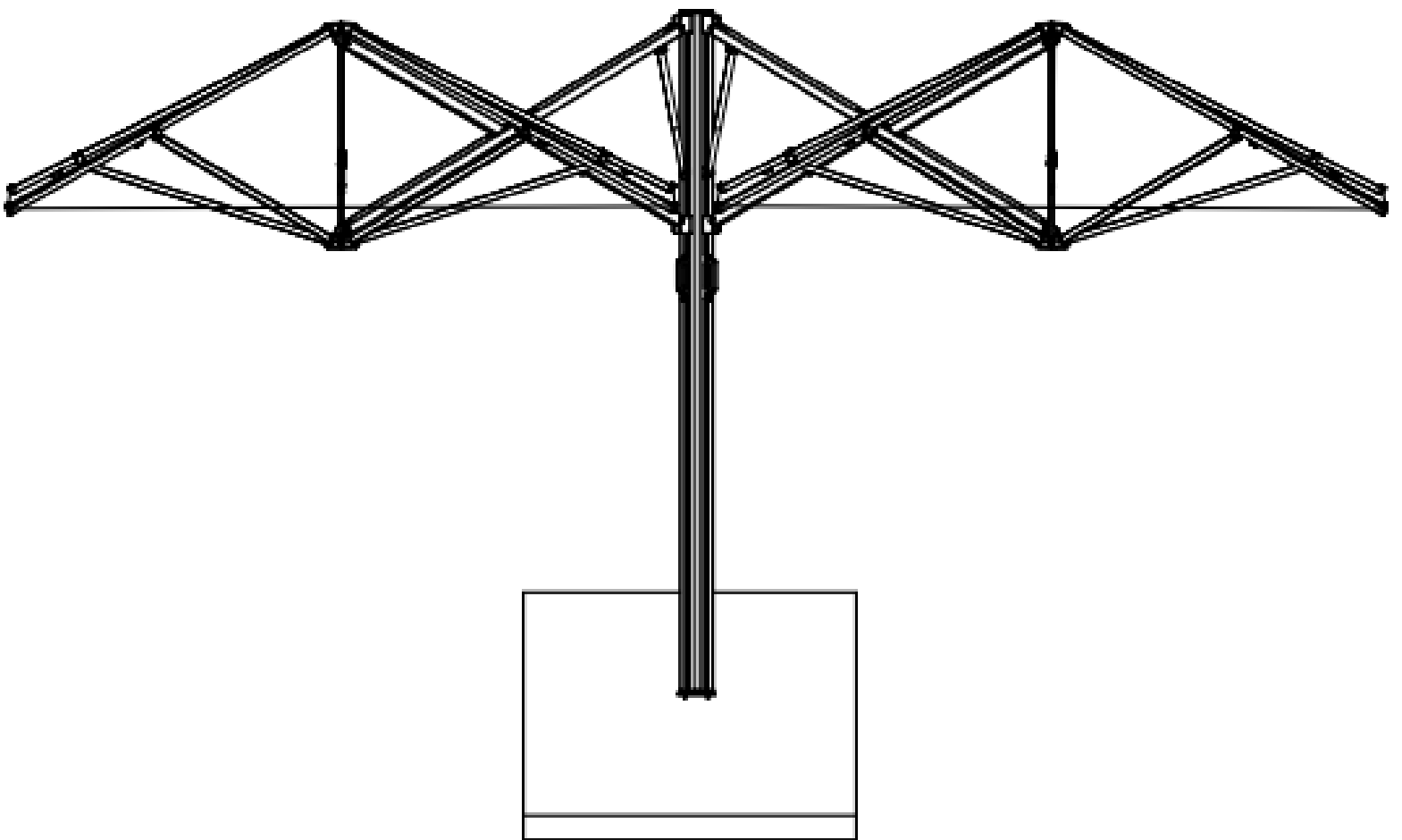


# Instruction Manual

## Cygnus Quadro

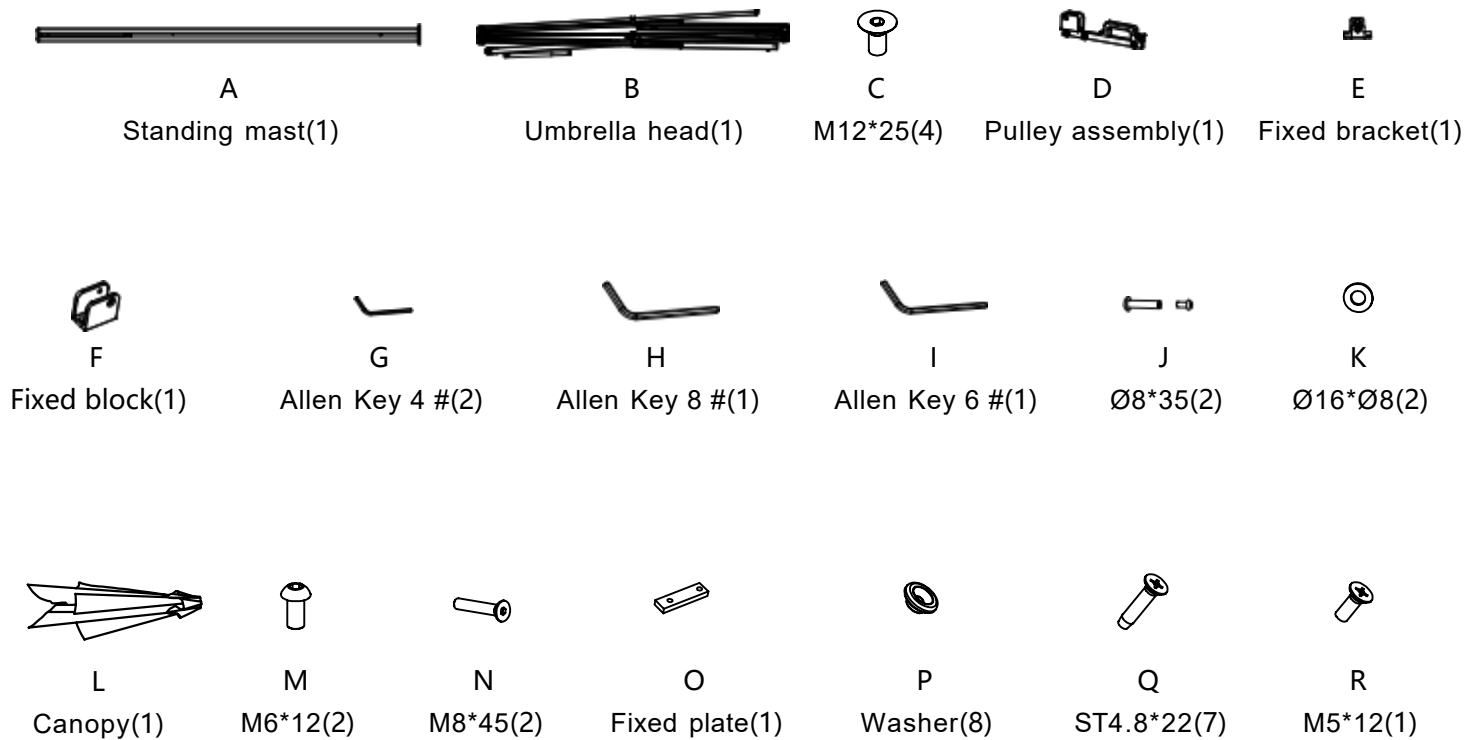
6x6M Aluminum Quadra Umbrella



Note: base no included.

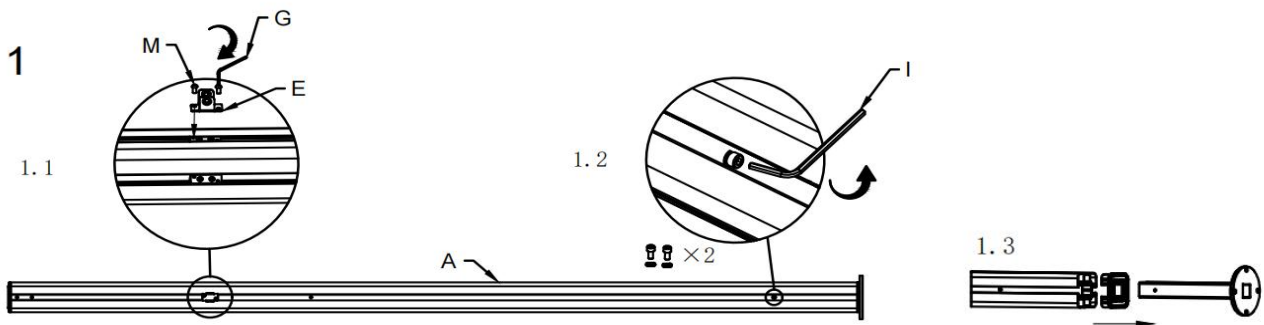
---

# Parts

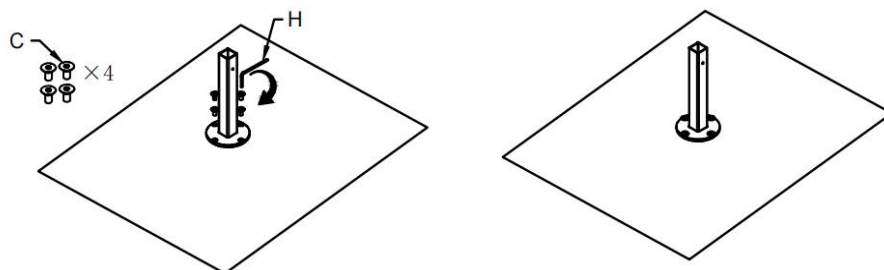


# Assembly

Step: 1



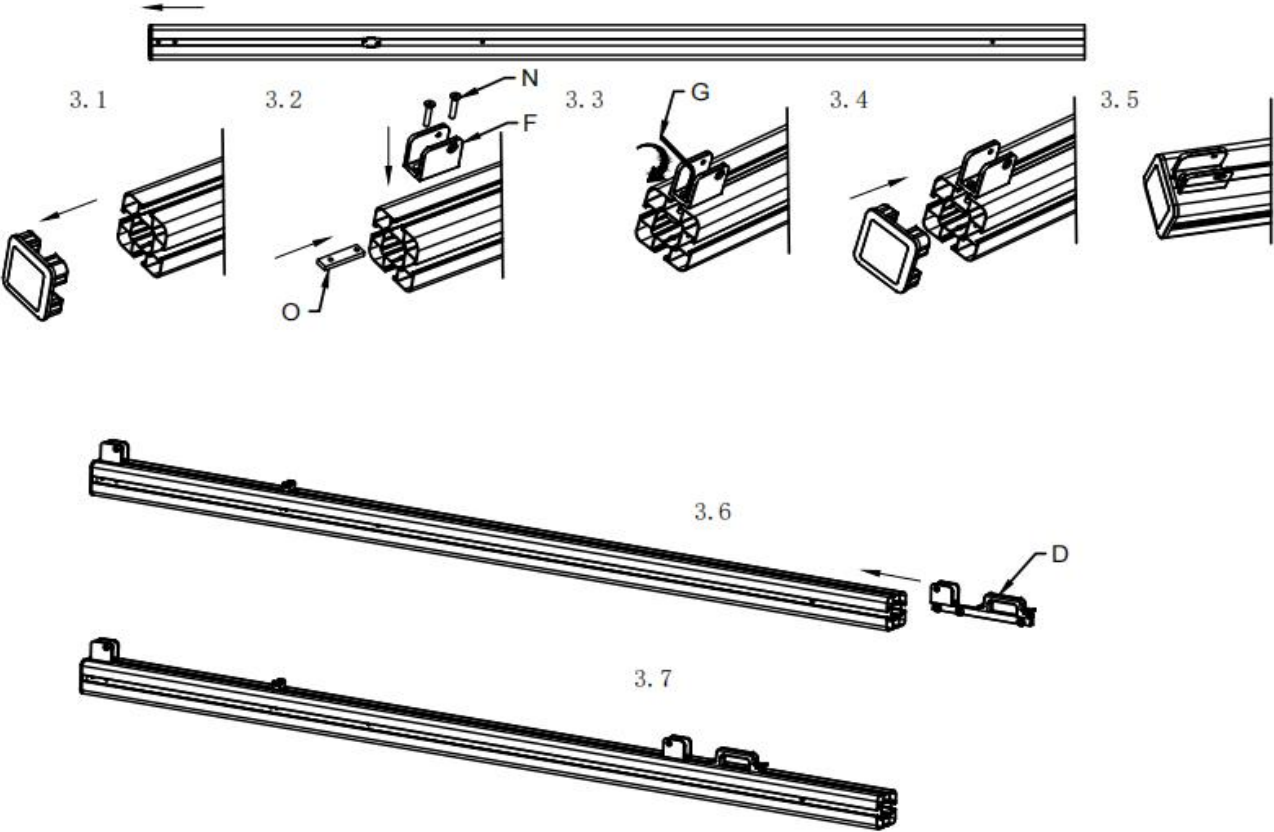
Step: 2



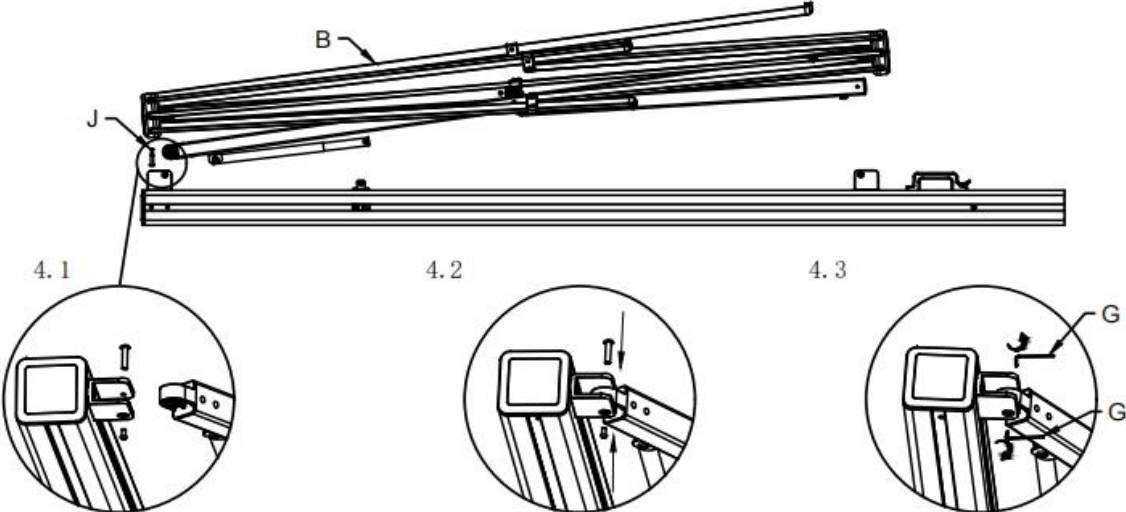
---

# Assembly

## Step: 3



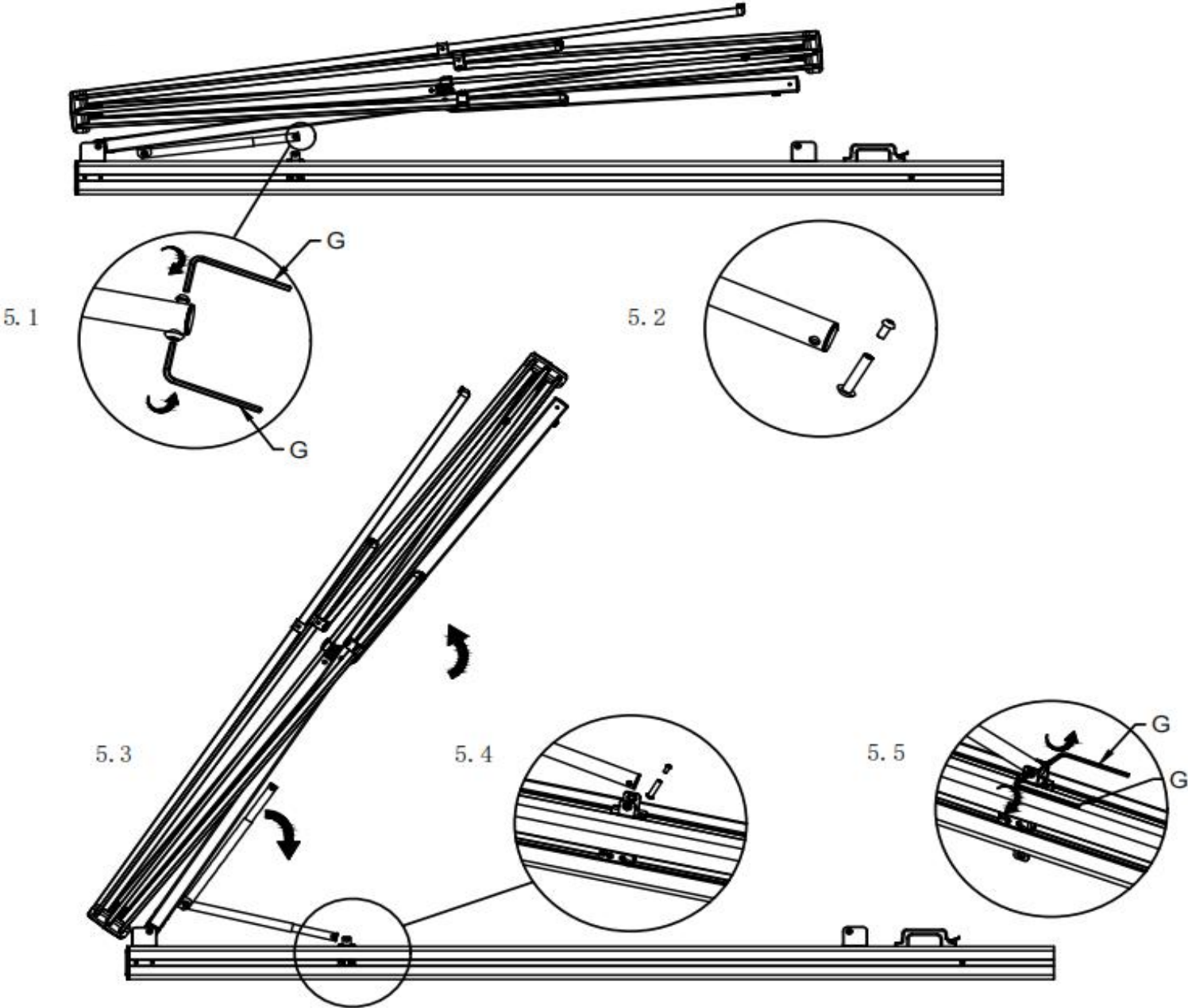
## Step: 4



---

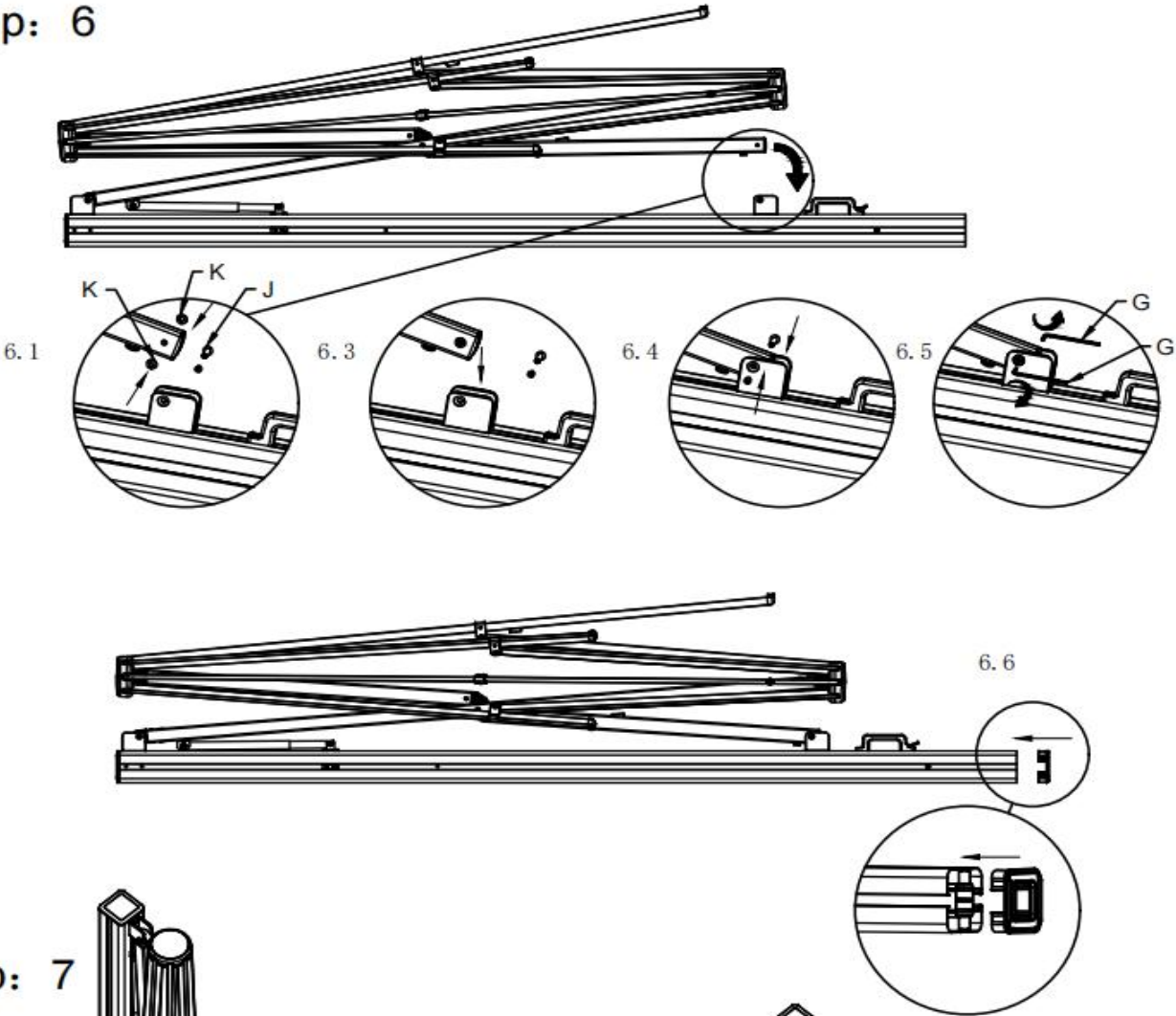
# Assembly

Step: 5

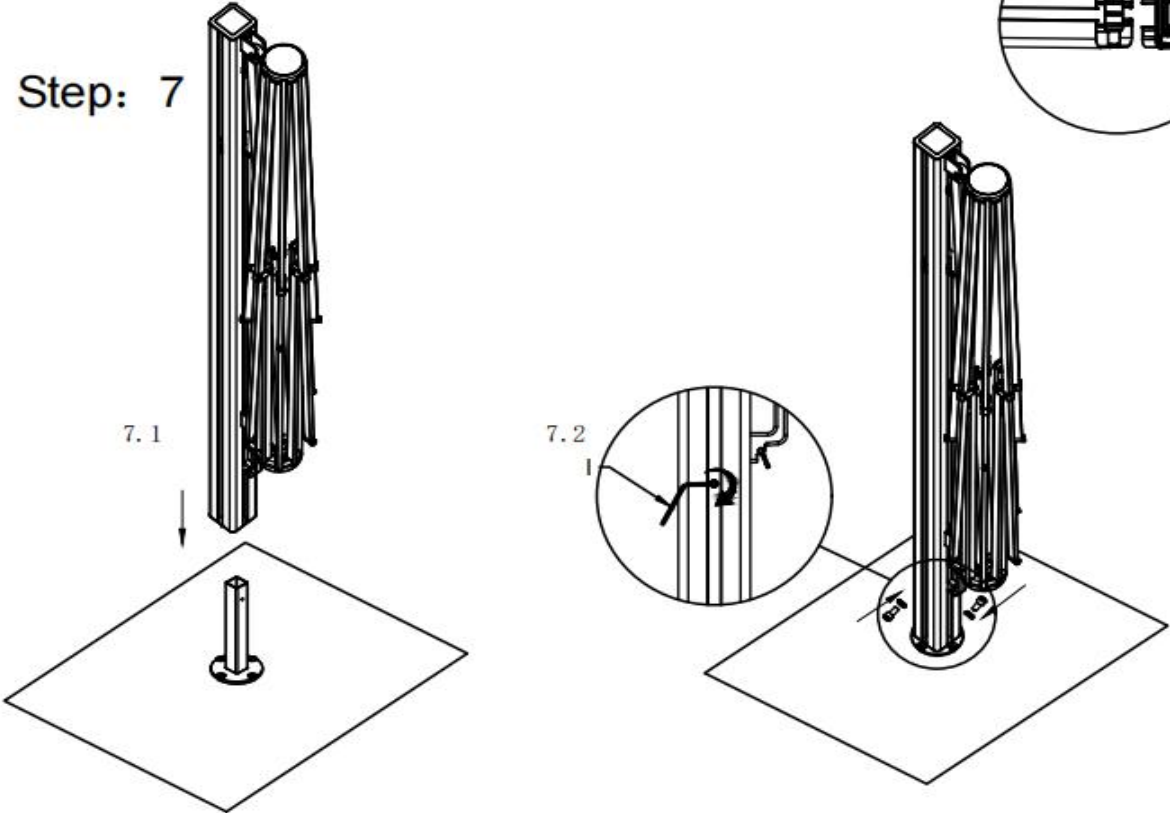


# Assembly

Step: 6

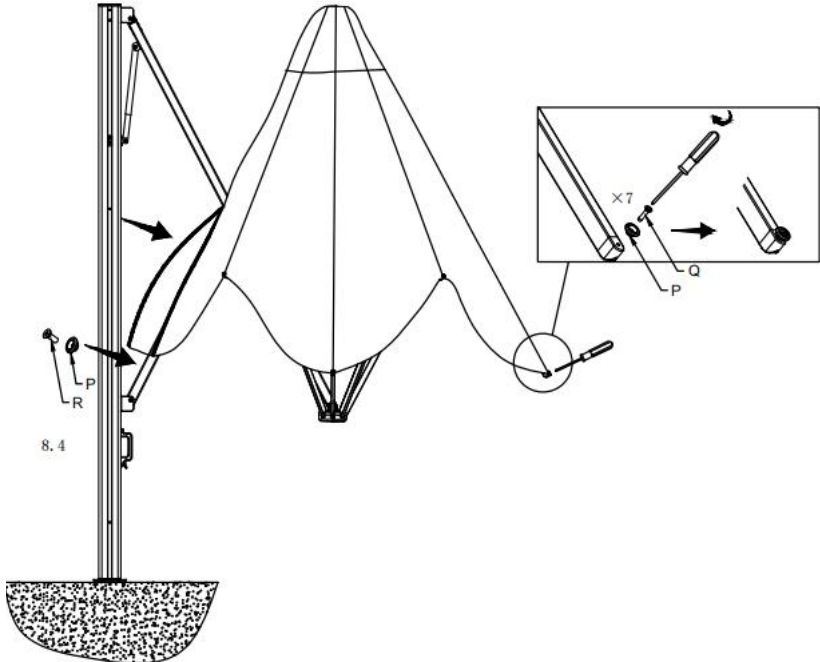
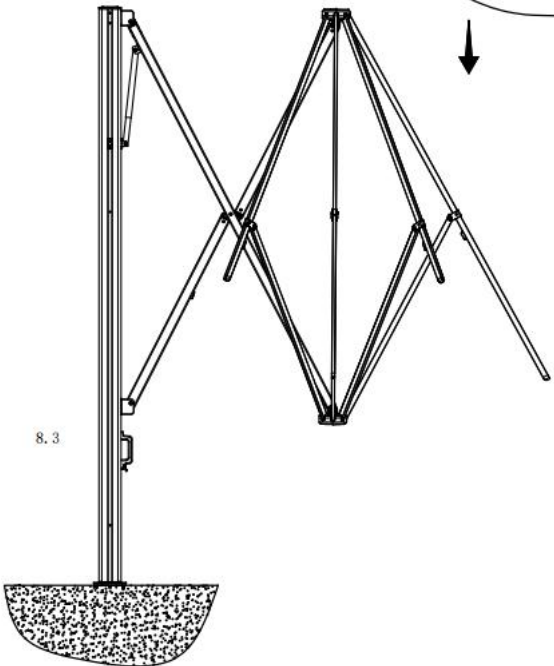
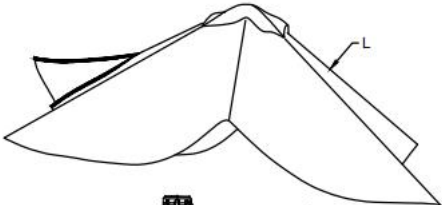
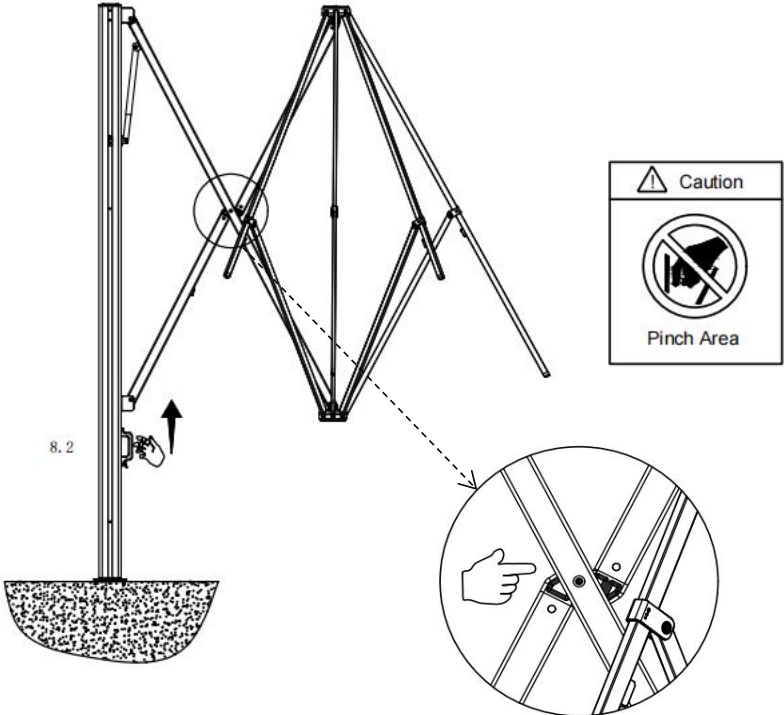


Step: 7



# Assembly

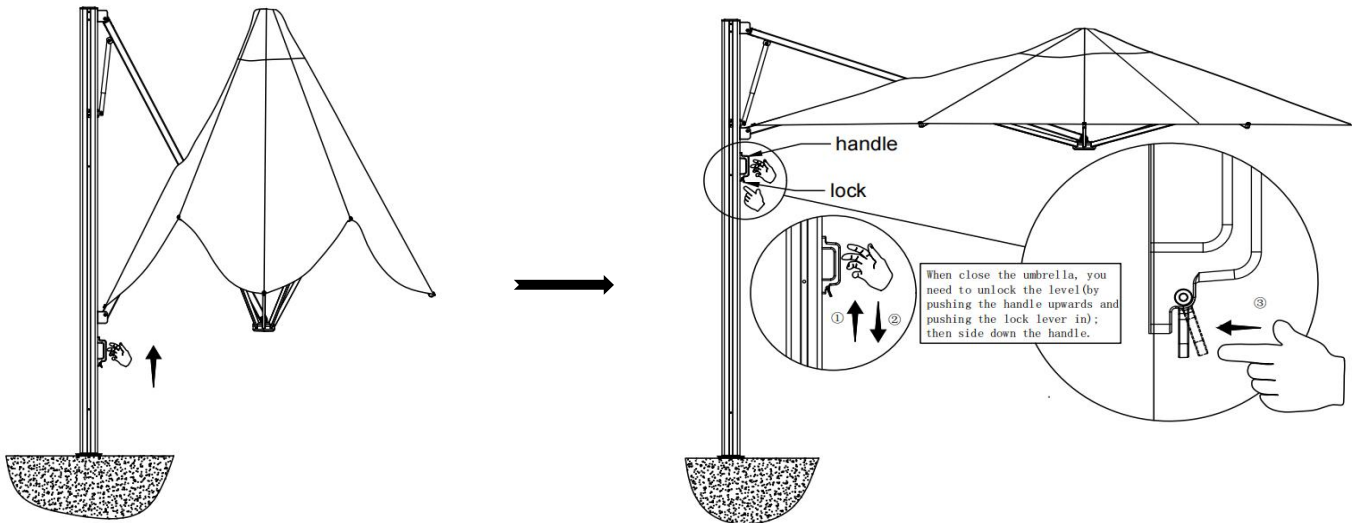
## Step: 8



---

# Opening

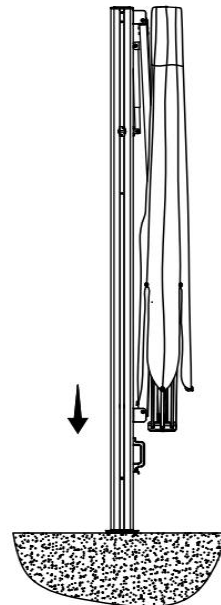
Push the slider upwards to a suitable height, the umbrella will automatically open and lock into the place.



---

# Closing

Close the canopy by moving the slider downward until the bottom.  
Secure the canopy with the velcro tie, make sure the velcro tie goes around the pole.



Manufacturer and seller expressly disclaim any and all liability for personal injury, property damage or loss, whether direct, indirect, or incidental, resulting from the incorrect attachment, improper use, inadequate maintenance, or neglect of this product.