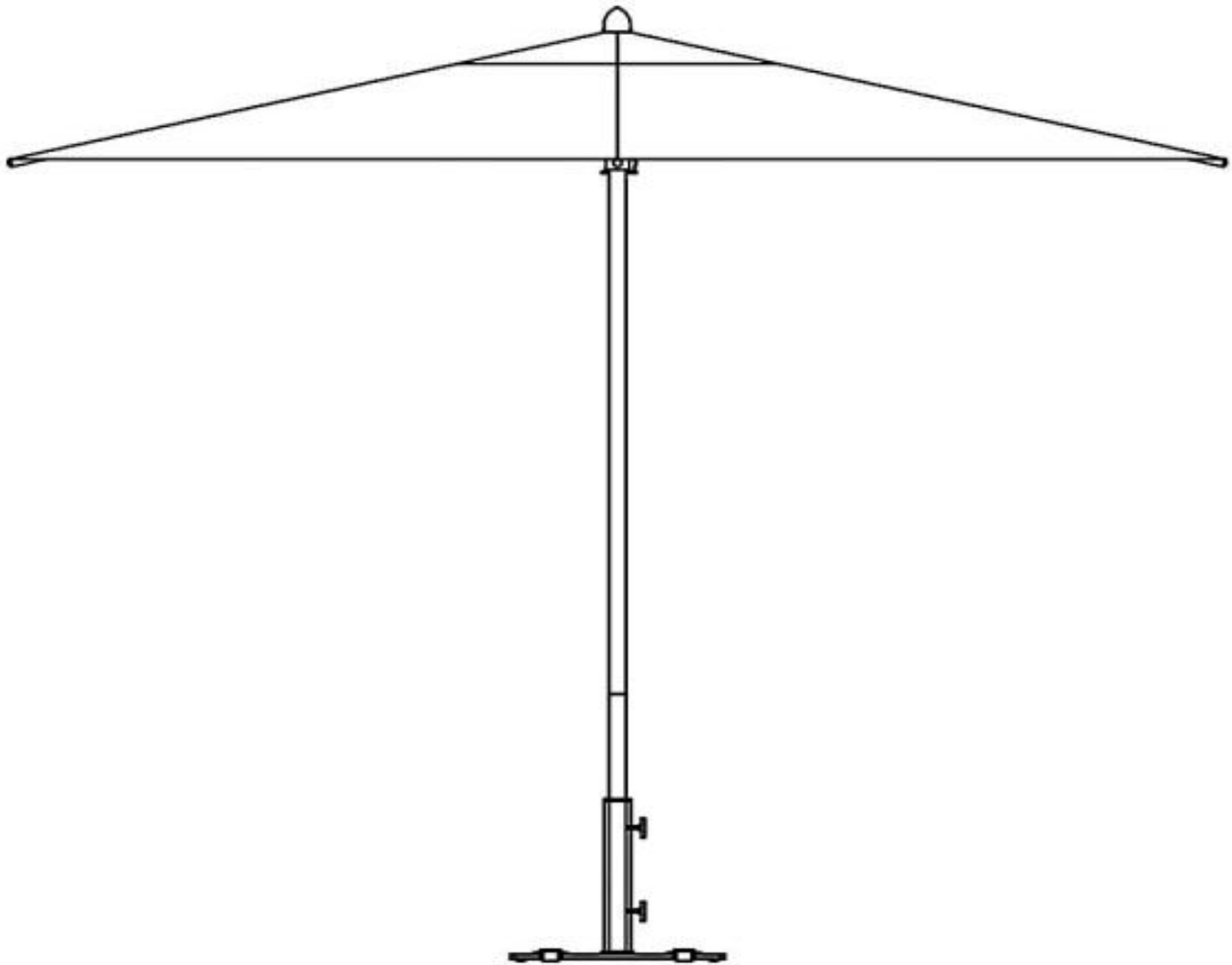




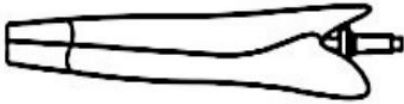
Instruction Manual

Klika

Aluminum center pole umbrella



Parts



A
Parasol(1)



B
Cap(1)

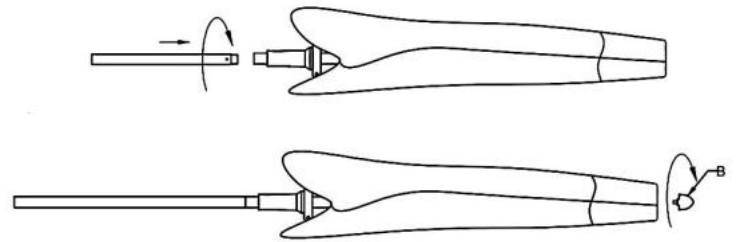


D
Lower pole(1)

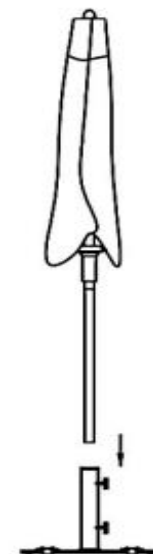
Assembly

Take out the parasol and lower pole assembly , ensure all parts are intact and free of damage.

Assembly cap onto the top of the parasol.

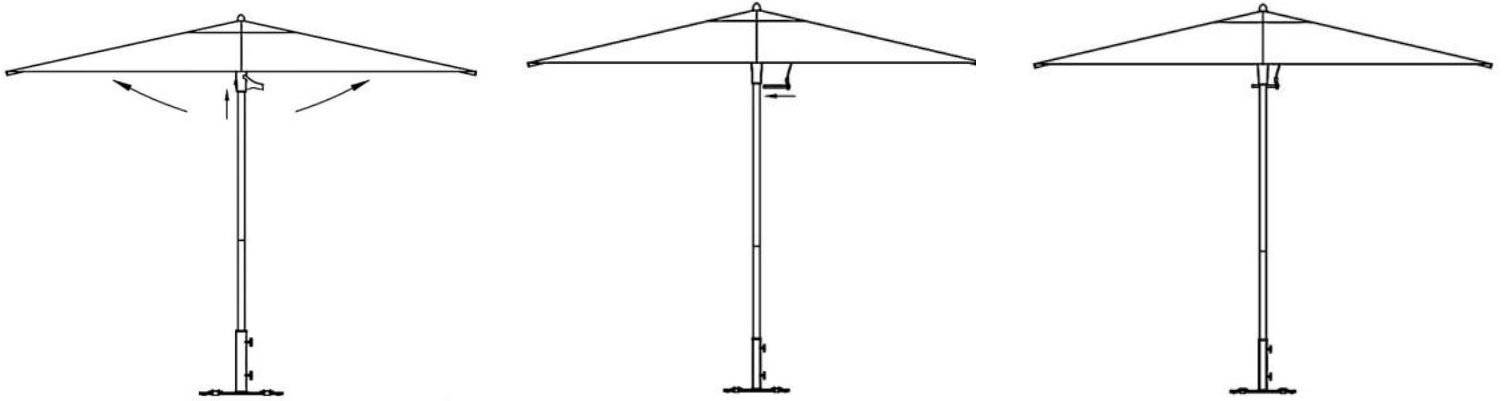


Insert the umbrella pole into the base tube and secure it with set screws. Ensure the base has enough weight for stability.



Opening

Open the parasol by pushing upwards to a suitable height, put the pim stopper into the pole to lock into the place.

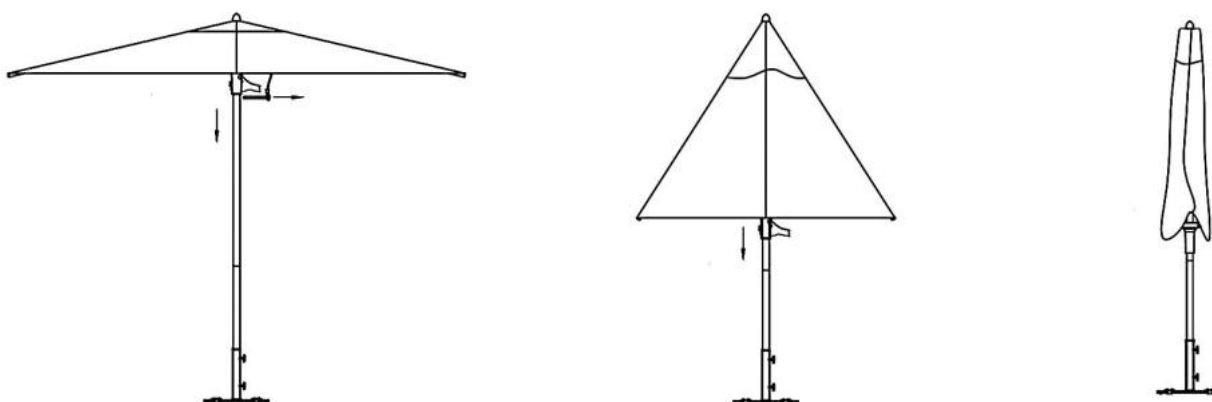


Closing

Take out the pim stopper.

Close the parasol by pushing down the hub.

Secure the canopy with the velcro tie, make sure the velcro tie goes around the pole.



Manufacturer and seller expressly disclaim any and all liability for personal injury, property damage or loss, whether direct, indirect, or incidental, resulting from the incorrect attachment, improper use, inadequate maintenance, or neglect of this product.